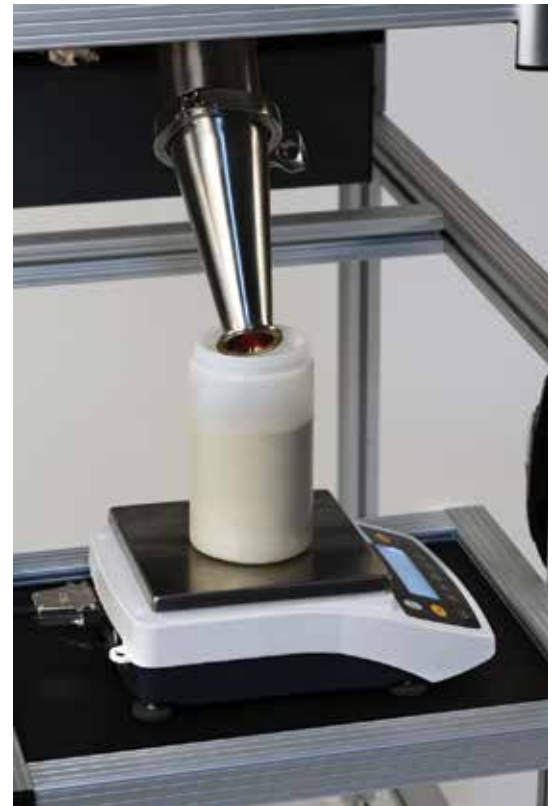


Ball Technologies Seed Counter Gen3 S



The seed counter with speed,
precision and ease of use.
Seed counting and weight
measurement made more
productive.

Ball Technologies™

seed technology that counts

Ball Technologies Seed Counter Specifications

GEN3 S Seed Counter Floor Model (30 inch h floor frame)

A Feeder Assembly (SC-FA3)

Height: 11.5 in./29.2 cm

FMC Vibratory Feeder with controller: 110 or 230 volt

Custom Trough width: 3.5 in./8.9 cm

Hopper capacity: 12 liters

- Electronics enclosure
- Vibration isolation

B Seed Counting Detection Head (SC-3000)

- Steel enclosure with input extension tube and internal hardware
- Camera, lens, mirrors, specialty optics, cable GigE card
- LED lights
- Power supply
- Digital I/O communication
- Foot switch
- Computer with 22-in./55.9-cm hi-def touchscreen monitor
- Network ready (1Gb Ethernet)
- Custom software and VDM runtime license
- Stainless steel chute attached to Detection Head seed exit

C Top Mounting Frame (SC-TF3)

Height: 20 in./50.8 cm

Extruded aluminum frame: 1.5 in./3.8 cm thick

Monitor arm attaches to frame and allows 180° side movement

D Output

Attaches to Detection Head seed exit.

Assembly height: 11 in./27.9 cm

Adjustable length filling tubes attached to parts A and B:

1.125 in./2.858 cm OD

OC includes all drive electronics and drive motor

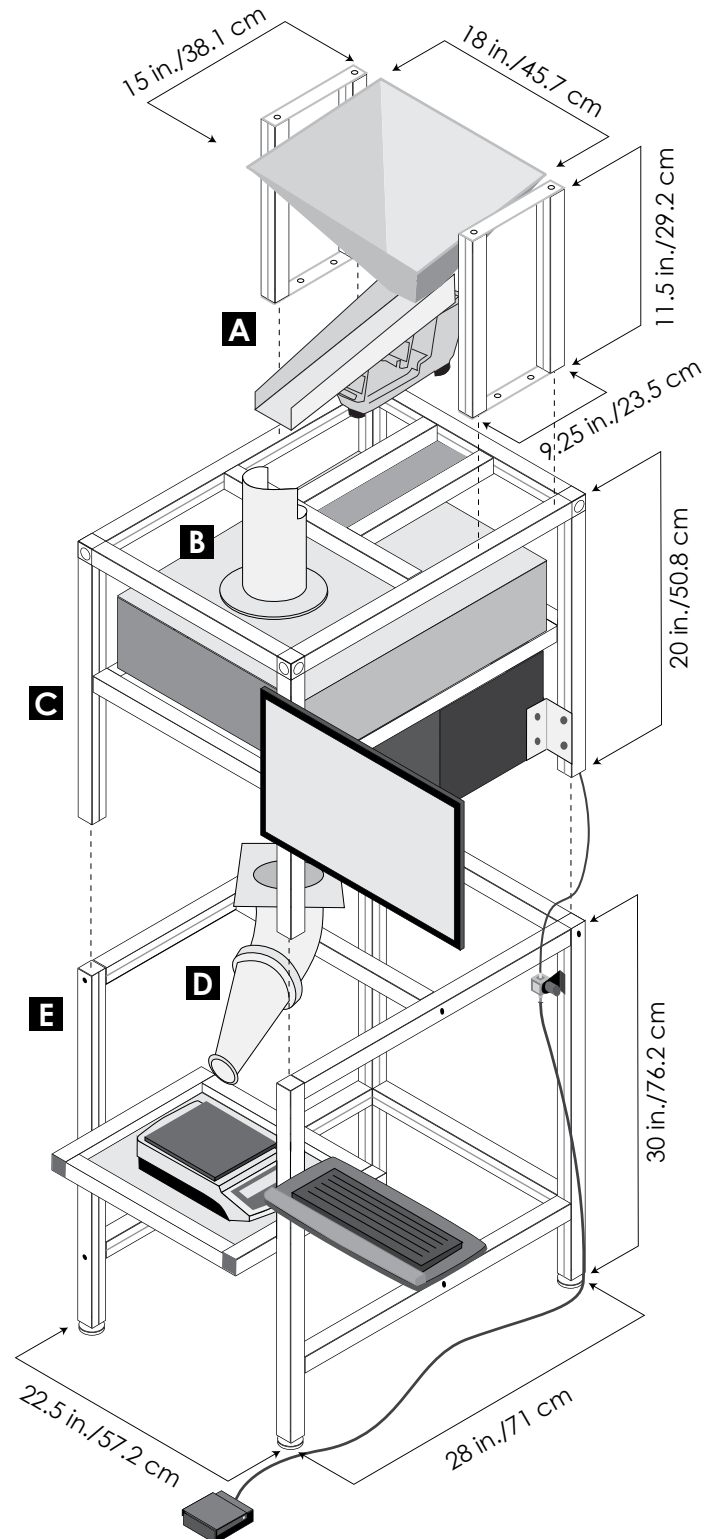
E Floor Mount Frame (SC-BF3)

Adjustable feet.

Height: 30 in./76.2 cm

Extruded aluminum frame: 1.5 in./3.8 cm thick

Adjustable front-mounted shelf: 14.25 in./36.2 cm deep



Ball Technologies™

seed technology that counts

ball-technologies.com

© 2016 Ball Horticultural Company 16623-S
® denotes a registered trademark of Ball Horticultural Company in the U.S. It may also be registered in other countries. Visit ball-technologies.com for current Terms & Conditions of Sale.

Ball Technologies Seed Counter Gen3 P



The seed counter with speed,
precision and ease of use.
Seed packaging made more
productive.

Ball Technologies™

seed technology that counts

Ball Technologies Seed Counter Specifications

GEN3 P Seed Counter Floor Model (39 inch h floor frame)

A Feeder Assembly (SC-FA3)

Height: 11.5 in./29.2 cm

FMC Vibratory Feeder with controller: 110 or 230 volt

Custom Trough width: 3.5 in./8.9 cm

Hopper capacity: 12 liters

- Electronics enclosure
- Vibration isolation

B Seed Counting Detection Head (SC-3000)

- Steel enclosure with input extension tube and internal hardware
- Camera, lens, mirrors, specialty optics, cable GigE card
- LED lights
- Power supply
- Digital I/O communication
- Foot switch
- Computer with 22-in./55.9-cm hi-def touchscreen monitor
- Network ready (1Gb Ethernet)
- Custom software and VDM runtime license
- Stainless steel chute attached to Detection Head seed exit

C Top Mounting Frame (SC-TF3)

Height: 20 in./50.8 cm

Extruded aluminum frame: 1.5 in./3.8 cm thick

Monitor arm attaches to frame and allows 180° side movement

D Pneumatic Output Diverter (SC-ODA3)

Provides a high-speed A/B switch on the output seed stream for increased packing accuracy and speeds. Attaches to Detection Head seed exit.

Assembly height: 11 in./27.9 cm

Adjustable length filling tubes attached to parts A and B:

1.125 in./2.858 cm OD

OC includes all drive electronics and drive motor

E Floor Mount Frame (SC-BF3)

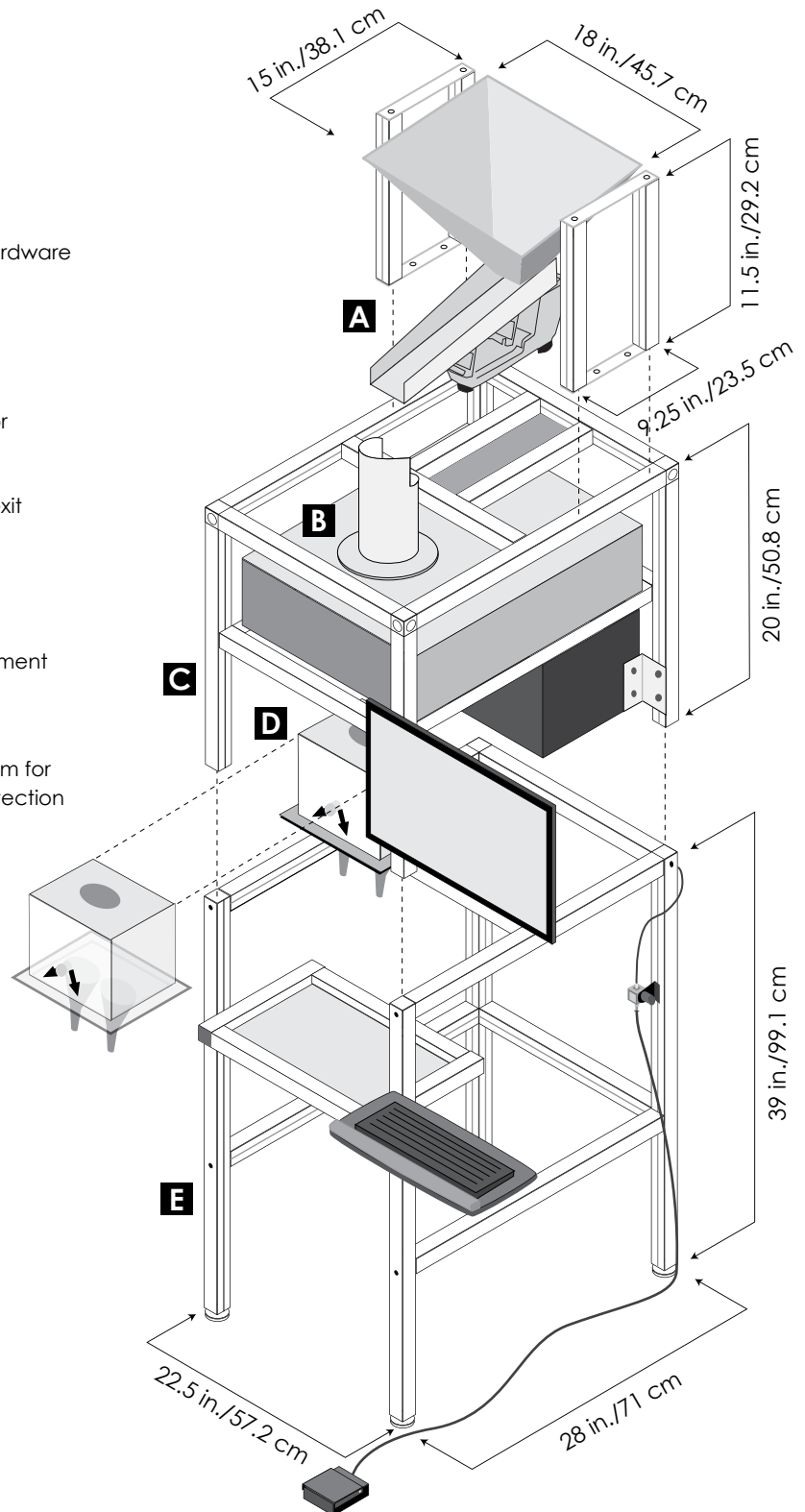
Allows operation of the system with Output Diverter.

Adjustable feet.

Height: 39 in./99.1 cm

Extruded aluminum frame: 1.5 in./3.8 cm thick

Adjustable front-mounted shelf: 14.25 in./36.2 cm deep



Ball Technologies™

seed technology that counts

ball-technologies.com

© 2016 Ball Horticultural Company 16623-P
® denotes a registered trademark of Ball Horticultural Company in the U.S. It may also be registered in other countries. Visit ball-technologies.com for current Terms & Conditions of Sale.

Ball Technologies Seed Counter Gen3 M



The seed counter with speed,
precision and ease of use.

Better suited for laboratories
and smaller workstations.



Ball Technologies™

seed technology that counts

Ball Technologies Seed Counter Specifications

GEN3 M Seed Counter Tabletop Model

A Feeder Assembly (SC-FA3)

Height: 6 in./15.2 cm

FMC Vibratory Feeder with controller: 110 or 230 volt

Custom Trough width: 3.5 in./8.9 cm

- Electronics enclosure
- Vibration isolation

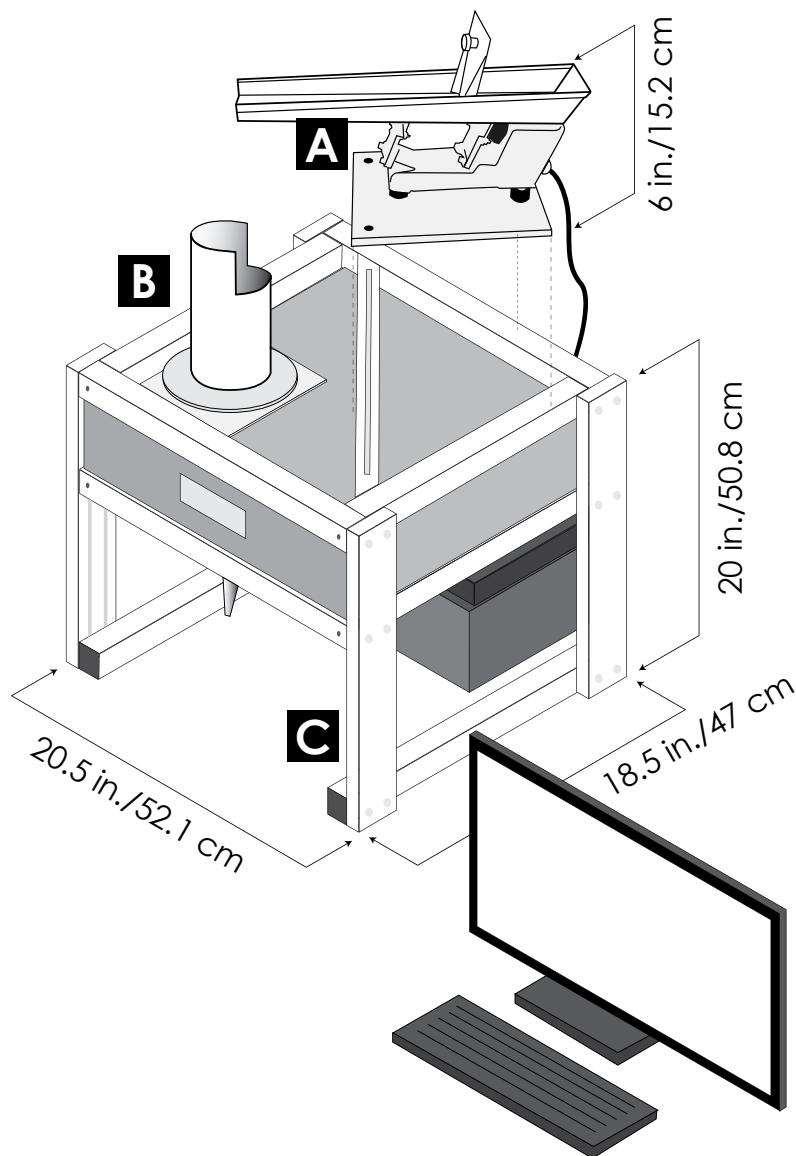
B Seed Counting Detection Head (SC-4000)

- Steel enclosure with input extension tube and internal hardware
- Camera, lens, mirrors, specialty optics, cable GigE card
- LED lights
- Power supply
- Digital I/O communication
- Foot switch
- Computer with 22-in./55.9-cm hi-def touchscreen monitor
- Network ready (1Gb Ethernet)
- Custom software and VDM runtime license
- Stainless steel chute attached to Detection Head seed exit

C Top Mounting Frame (SC-TF3)

Height: 20 in./50.8 cm

Extruded aluminum frame: 1.5 in./3.8 cm thick



Ball Technologies[™]

seed technology that counts

ball-technologies.com

© 2016 Ball Horticultural Company 16623-M
® denotes a registered trademark of Ball Horticultural Company in the U.S. It may also be registered in other countries. Visit ball-technologies.com for current Terms & Conditions of Sale.